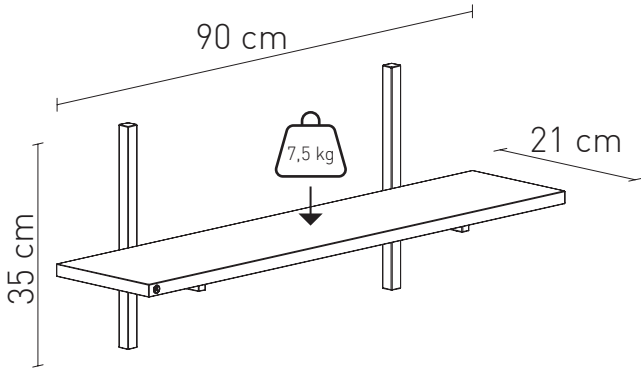


# ANDERSEN

DESIGN SINCE 1916



A LIGHT SHELF  
Design by Louise Siig

