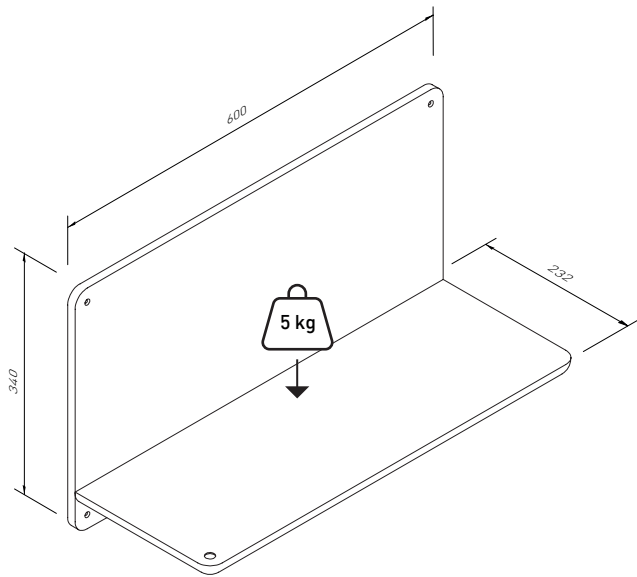


ANDERSEN

DESIGN SINCE 1916



PANEL SHELF
Design by Louise Siig / Andersen Design Team

